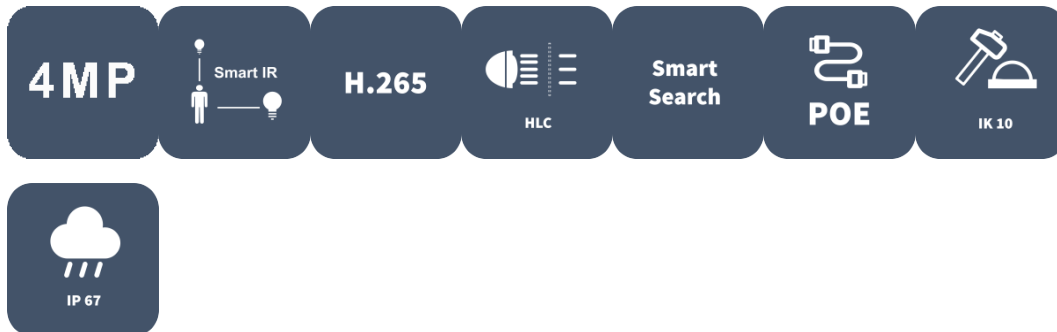


4MP Fixed IR Dome Network Camera

IPC324LB-SF28(40)-A



Features

- High quality image with 4MP, 1/3"CMOS sensor
- 4MP (2560*1440)@25/20fps; 3MP (2304*1296)@25/20fps; 2MP (1920*1080)@30/25fps
- Ultra 265, H.265, H.264
- Smart IR, up to 30m (98ft) IR distance
- Day/night functionality
- 2D/3D DNR (Digital Noise Reduction)
- IP67 protection
- IK10 vandal resistant
- DC12V or PoE(IEEE 802.3af) power supply

- 2-Axis

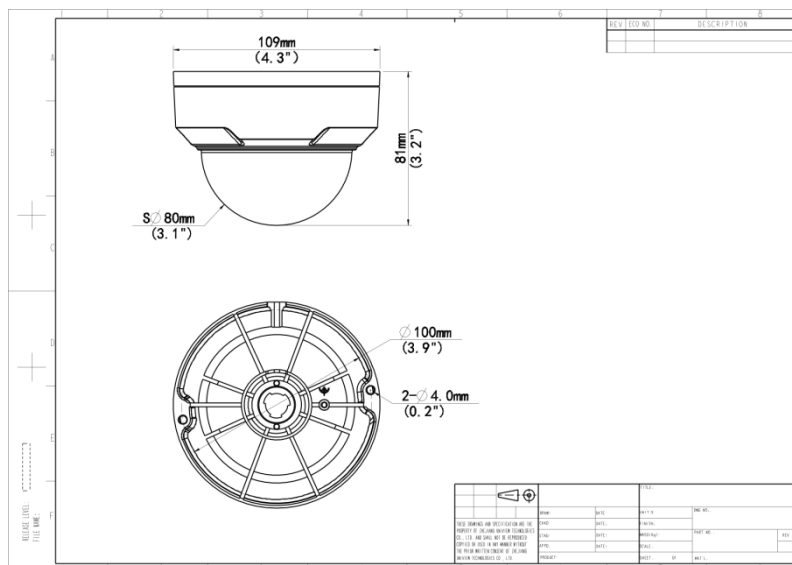
Specifications

| Camera | Description |
|-----------------------------|--|
| Resolution | 4MP |
| Sensor | 1/3.0"CMOS |
| Min. Illumination | Colour: 0.01 lux (F2.1, AGC ON) 0 lux with IR on |
| Day/Night | IR-cut filter with auto switch (ICR) |
| Shutter | Auto/Manual, 1 ~ 1/100000s |
| Adjustment angle | Pan: 3° ~ 360° , Tilt: 0° ~ 68° |
| S/N | >52dB |
| WDR | DWDR |
| Lens | Description |
| Lens type | IPC324LB-SF28-A:2.8mm IPC324LB-SF40-A:4.0mm |
| Iris Type | Fixed |
| Iris | F2.1 |
| Field of View (H) | IPC324LB-SF28-A:97.0° IPC324LB-SF40-A:79.0° |
| Field of View (V) | IPC324LB-SF28-A:52.2° IPC324LB-SF40-A:42.3° |
| Field of View (D) | IPC324LB-SF28-A:107.5° IPC324LB-SF40-A:85.1° |
| DORI | Description |
| DORI Distance (Lens) | IPC324LB-SF28-A:2.8mm IPC324LB-SF40-A:4.0mm |
| DORI Distance (Detect) | IPC324LB-SF28-A:63.0m(206.7ft) IPC324LB-SF40-A:90.0m(295.3ft) |
| DORI Distance (Observe) | IPC324LB-SF28-A:25.2m(82.7ft) IPC324LB-SF40-A:36.0m(118.1ft) |
| DORI Distance (Recognize) | IPC324LB-SF28-A:12.6m(41.3ft) IPC324LB-SF40-A:18.0m(59.1ft) |
| DORI Distance (Identify) | IPC324LB-SF28-A:6.3m(20.7ft) IPC324LB-SF40-A:9.0m(29.5ft) |
| Illuminator | Description |
| IR Range | Up to 30m (98ft) |
| Wavelength | 850nm |
| IR On/Off Control | Auto/Manual |
| Video | Description |

| | |
|-------------------------|--|
| Video Compression | Ultra 265; H.265; H.264 |
| H.264 code profile | Baseline profile, Main profile, High profile |
| Frame Rate | Main Stream: 4MP (2560*1440), Max 25fps; 3MP(2304*1296), Max 25fps;2MP(1920*1080),Max 30fps Sub Stream: D1 (720*576), Max 30fps; 640*360,Max 30fps; 2CIF(704*288), Max 30fps; CIF(352*288), Max 30fps |
| Video Bit Rate | 128 Kbps~6144 Kbps |
| U-code | Support(Main stream) |
| OSD | Up to 4 OSDs |
| Privacy Mask | Up to 4 areas |
| ROI | Up to 8 areas |
| Video stream | Dual streams |
| Image | Description |
| White Balance | Auto/Outdoor/Fine Tune/Sodium Lamp/Locked/Auto2 |
| Digital noise reduction | 2D/3D DNR |
| Smart IR | Support |
| Flip | Normal/Vertical/Horizontal/180° |
| Dewarping | N/A |
| HLC | Support |
| BLC | Support |
| Defog | Digital Defog |
| Events | Description |
| Basic Detection | Motion detection |
| General Function | Watermark;IP Address Filtering;Access Policy;ARP Protection;RTSP Authentication;User Authentication;HTTP authentication |
| Network | Description |
| Protocols | IPv4;IGMP;ICMP;ARP;TCP;UDP;DHCP;RTP;RTSP;RTCP;RTMP;DNS;DDNS;NTP;UPnP;HTTP;HTTPS;SMTP;QoS;SSL/TLS |
| Compatible Integration | ONVIF (Profile S, Profile T);API;SDK |
| User/Host | Up to 32 users, 2 user levels: administrator and common user |
| Security | Password protection;Strong password;HTTPS encryption;Export operation logs;Basic and digest authentication for RTSP;Digest authentication for HTTP;WSSE and digest authentication for ONVIF |
| Client | EZStation;EZView; EZLive |
| Web Browser | Plug-in required live view: IE 10 and above,Chrome 45 and above,Firefox 52 and above,Edge 79 and above;Plug-in free live view: Chrome 57.0 and above,Firefox 58.0 and above,Edge 16 and above |
| Interface | Description |
| Audio I/O | N/A |
| Alarm I/O | N/A |
| Serial Port | N/A |
| Built-in Mic | N/A |

| | |
|---------------------|---|
| Built-in Speaker | N/A |
| WIFI | N/A |
| Network | 1 * RJ45 10M/100M Base-TX Ethernet |
| Video Output | N/A |
| Certification | Description |
| EMC | CE-EMC (EN 55032,EN 61000-3-3,EN IEC 61000-3-2,EN 55035) FCC (FCC 47 CFR part15 B) |
| Safety | CE LVD (EN 62368-1) CB (IEC 62368-1) UL/CUL (UL 62368-1, CAN/CSA C22.2 No. 62368-1) |
| Environment | CE-RoHS (2011/65/EU;(EU)2015/863); WEEE (2012/19/EU); |
| Protection | IP67 (IEC 60529) IK10 (IEC 62262) |
| General | Description |
| Power | DC 12V ± 25%, PoE (IEEE 802.3af) Power consumption: Max 5.0W |
| Power Interface | Ø 5.5mm coaxial power plug |
| Dimensions (Ø x H) | Φ 118 x 95mm (Φ 4.6" x 3.8") |
| Weight | 0.28kg(0.62lb) |
| Material | Metal + Plastic |
| Working Environment | -30° C ~ 60° C (-22° F ~ 140° F), Humidity: ≤95% RH (non-condensing) |
| Storage Environment | -30° C ~ 60° C (-22° F ~ 140° F), Humidity: ≤95% RH (non-condensing) |
| Surge protection | 4KV |
| Reset button | N/A |
| Web Client Language | 1 Language English |

Dimensions



Zhejiang Uniview Technologies Co., Ltd.

No. 369, Xietong Road, Xixing Sub-district, Binjiang District, Hangzhou City, 310051, Zhejiang Province, China

Email: overseasbusiness@uniview.com; globalsupport@uniview.com

<http://www.uniview.com>

©2023 Zhejiang Uniview Technologies Co., Ltd. All rights reserved.

*Product specifications and availability are subject to change without notice.